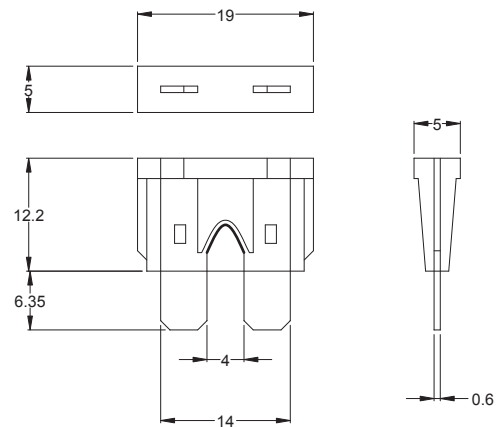


ATC Blade Type Automotive Fuse

- Fast Acting, Low Voltage For Up To 32V DC
- Material: * Body: Plastic
* Metal: Zinc Alloy
- Standard: According To SAE J1284
- Circuit Protection To Replace Fusible Wire Or Fusible Link
- Fuses Are Color-Coded For Easy Amperage Identification



Scale: mm



RoHS

Specifications

Opening Time / Pre-arcing Time:

In	1.1 In	1.35 In		2.0 In		3.5 In		6.0 In	
1-40A	>100 Hours	Min.	Max.	Min.	Max.	Min.	Max.	Min.	Max.
		0.75 s	1800 s	0.15 s	5 s	0.04 s	0.5 s	0.02 s	0.1 s

Interruption Ratings: 1000 Amperes @32VDC

Ordering Information:

Part Number	Ampere (A)	Voltage (VDC)	Body Color
ATC-1	1 A	32 V	Black
ATC-2	2 A	32 V	Gray
ATC-3	3 A	32 V	Violet
ATC-4	4 A	32 V	Pink
ATC-5	5 A	32 V	Tan
ATC-7.5	7.5 A	32 V	Brown
ATC-10	10 A	32 V	Red
ATC-15	15 A	32 V	Blue
ATC-20	20 A	32 V	Yellow
ATC-25	25 A	32 V	Natural
ATC-30	30 A	32 V	Green
ATC-35	35 A	32 V	Blue Green
ATC-40	40 A	32 V	Orange

<http://www.tiewraps.com>

Telephone - 1-800-942-2292